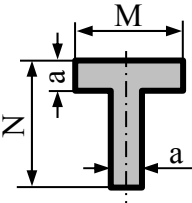
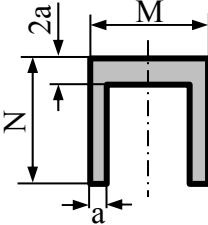
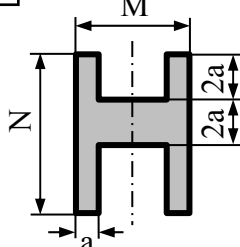
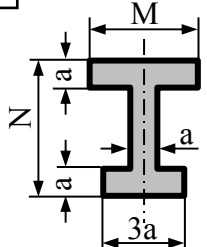
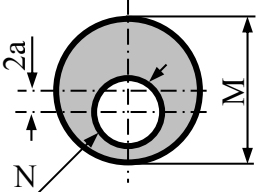
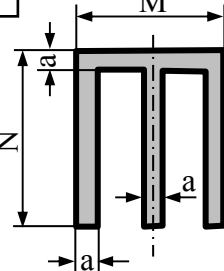
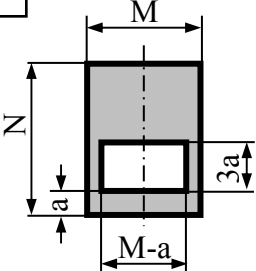
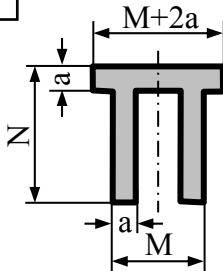
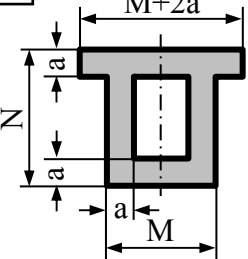
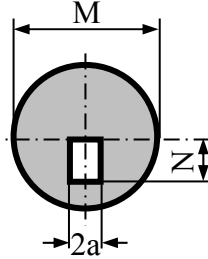
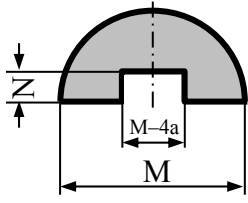
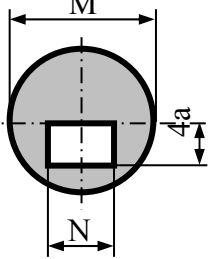
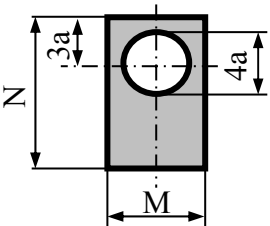
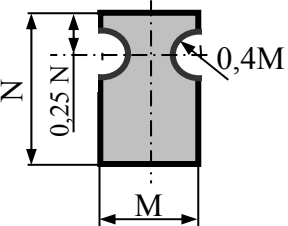
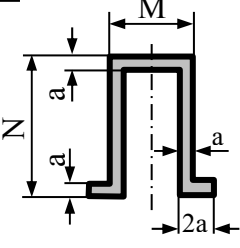
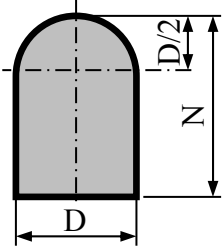


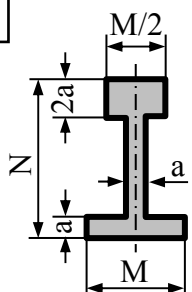
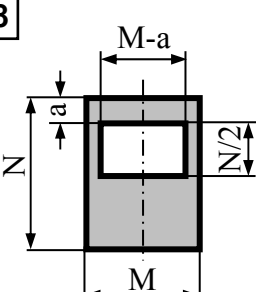
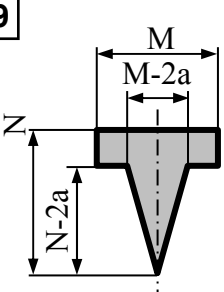
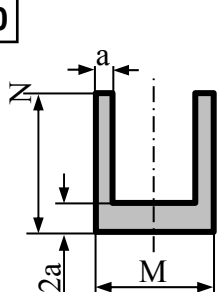
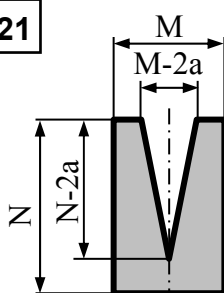
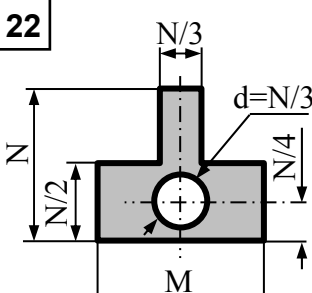
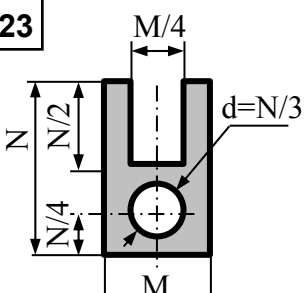
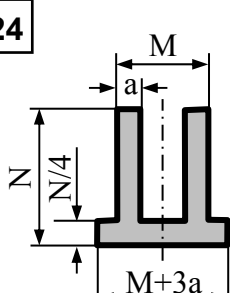
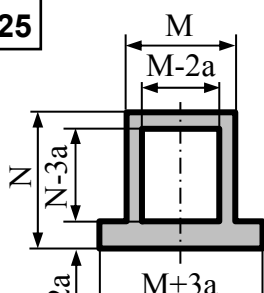
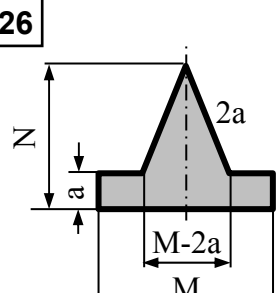
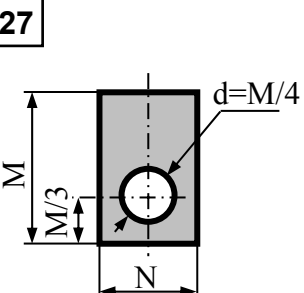
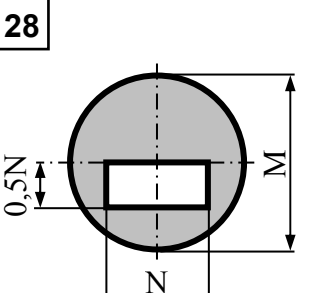
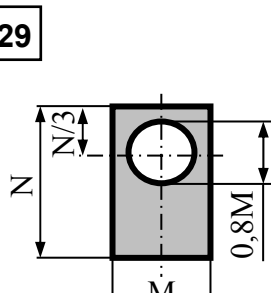
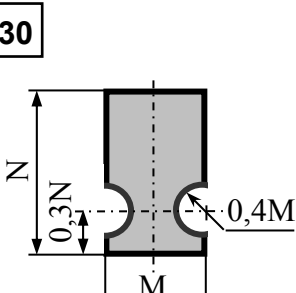
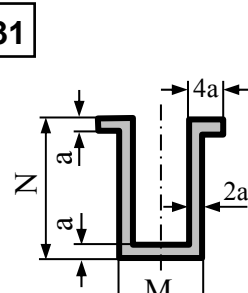
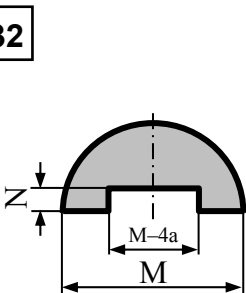
**ДОМАШНА РАБОТА № 1**  
 по „Съпротивление на материалите - I част”  
**Задача № 1**

Да се определи положението на главните инерционни оси и  
 да се пресметнат стойностите на главните инерционни моменти.

<p><b>1</b></p>  <table border="1" data-bbox="127 683 406 761"> <tr> <td>M</td> <td>4a</td> <td>5a</td> <td>6a</td> </tr> <tr> <td>N</td> <td>7a</td> <td>9a</td> <td>10a</td> </tr> </table>	M	4a	5a	6a	N	7a	9a	10a	<p><b>2</b></p>  <table border="1" data-bbox="478 683 758 761"> <tr> <td>M</td> <td>4a</td> <td>5a</td> <td>6a</td> </tr> <tr> <td>N</td> <td>8a</td> <td>9a</td> <td>10a</td> </tr> </table>	M	4a	5a	6a	N	8a	9a	10a	<p><b>3</b></p>  <table border="1" data-bbox="829 683 1109 761"> <tr> <td>M</td> <td>4a</td> <td>5a</td> <td>6a</td> </tr> <tr> <td>N</td> <td>8a</td> <td>9a</td> <td>10a</td> </tr> </table>	M	4a	5a	6a	N	8a	9a	10a	<p><b>4</b></p>  <table border="1" data-bbox="1173 683 1452 761"> <tr> <td>M</td> <td>5a</td> <td>6a</td> <td>7a</td> </tr> <tr> <td>N</td> <td>9a</td> <td>10a</td> <td>11a</td> </tr> </table>	M	5a	6a	7a	N	9a	10a	11a
M	4a	5a	6a																																
N	7a	9a	10a																																
M	4a	5a	6a																																
N	8a	9a	10a																																
M	4a	5a	6a																																
N	8a	9a	10a																																
M	5a	6a	7a																																
N	9a	10a	11a																																
<p><b>5</b></p>  <table border="1" data-bbox="119 1120 414 1198"> <tr> <td>M</td> <td>12a</td> <td>14a</td> <td>16a</td> </tr> <tr> <td>N</td> <td>4a</td> <td>6a</td> <td>8a</td> </tr> </table>	M	12a	14a	16a	N	4a	6a	8a	<p><b>6</b></p>  <table border="1" data-bbox="470 1120 766 1198"> <tr> <td>M</td> <td>10a</td> <td>12a</td> <td>14a</td> </tr> <tr> <td>N</td> <td>8a</td> <td>10a</td> <td>12a</td> </tr> </table>	M	10a	12a	14a	N	8a	10a	12a	<p><b>7</b></p>  <table border="1" data-bbox="821 1120 1101 1198"> <tr> <td>M</td> <td>4a</td> <td>5a</td> <td>6a</td> </tr> <tr> <td>N</td> <td>7a</td> <td>9a</td> <td>10a</td> </tr> </table>	M	4a	5a	6a	N	7a	9a	10a	<p><b>8</b></p>  <table border="1" data-bbox="1173 1120 1452 1198"> <tr> <td>M</td> <td>6a</td> <td>8a</td> <td>10a</td> </tr> <tr> <td>N</td> <td>6a</td> <td>8a</td> <td>10a</td> </tr> </table>	M	6a	8a	10a	N	6a	8a	10a
M	12a	14a	16a																																
N	4a	6a	8a																																
M	10a	12a	14a																																
N	8a	10a	12a																																
M	4a	5a	6a																																
N	7a	9a	10a																																
M	6a	8a	10a																																
N	6a	8a	10a																																
<p><b>9</b></p>  <table border="1" data-bbox="119 1568 399 1646"> <tr> <td>M</td> <td>4a</td> <td>5a</td> <td>6a</td> </tr> <tr> <td>N</td> <td>7a</td> <td>8a</td> <td>9a</td> </tr> </table>	M	4a	5a	6a	N	7a	8a	9a	<p><b>10</b></p>  <table border="1" data-bbox="470 1568 766 1646"> <tr> <td>M</td> <td>10a</td> <td>12a</td> <td>16a</td> </tr> <tr> <td>N</td> <td>3a</td> <td>4a</td> <td>6a</td> </tr> </table>	M	10a	12a	16a	N	3a	4a	6a	<p><b>11</b></p>  <table border="1" data-bbox="821 1568 1109 1646"> <tr> <td>M</td> <td>12a</td> <td>16a</td> <td>10a</td> </tr> <tr> <td>N</td> <td>4a</td> <td>6a</td> <td>2a</td> </tr> </table>	M	12a	16a	10a	N	4a	6a	2a	<p><b>12</b></p>  <table border="1" data-bbox="1173 1568 1460 1646"> <tr> <td>M</td> <td>12a</td> <td>14a</td> <td>16a</td> </tr> <tr> <td>N</td> <td>4a</td> <td>6a</td> <td>8a</td> </tr> </table>	M	12a	14a	16a	N	4a	6a	8a
M	4a	5a	6a																																
N	7a	8a	9a																																
M	10a	12a	16a																																
N	3a	4a	6a																																
M	12a	16a	10a																																
N	4a	6a	2a																																
M	12a	14a	16a																																
N	4a	6a	8a																																
<p><b>13</b></p>  <table border="1" data-bbox="119 2016 414 2094"> <tr> <td>M</td> <td>6a</td> <td>8a</td> <td>10a</td> </tr> <tr> <td>N</td> <td>10a</td> <td>12a</td> <td>14a</td> </tr> </table>	M	6a	8a	10a	N	10a	12a	14a	<p><b>14</b></p>  <table border="1" data-bbox="470 2016 766 2094"> <tr> <td>M</td> <td>5a</td> <td>6a</td> <td>10a</td> </tr> <tr> <td>N</td> <td>12a</td> <td>16a</td> <td>20a</td> </tr> </table>	M	5a	6a	10a	N	12a	16a	20a	<p><b>15</b></p>  <table border="1" data-bbox="829 2016 1109 2094"> <tr> <td>M</td> <td>6a</td> <td>8a</td> <td>10a</td> </tr> <tr> <td>N</td> <td>8a</td> <td>10a</td> <td>12a</td> </tr> </table>	M	6a	8a	10a	N	8a	10a	12a	<p><b>16</b></p>  <table border="1" data-bbox="1173 2016 1452 2094"> <tr> <td>D</td> <td>5a</td> <td>6a</td> <td>7a</td> </tr> <tr> <td>N</td> <td>9a</td> <td>10a</td> <td>11a</td> </tr> </table>	D	5a	6a	7a	N	9a	10a	11a
M	6a	8a	10a																																
N	10a	12a	14a																																
M	5a	6a	10a																																
N	12a	16a	20a																																
M	6a	8a	10a																																
N	8a	10a	12a																																
D	5a	6a	7a																																
N	9a	10a	11a																																

**ДОМАШНА РАБОТА № 1**  
 по „Съпротивление на материалите - I част”  
**Задача № 1**

Да се определи положението на главните инерционни оси и  
 да се пресметнат стойностите на главните инерционни моменти.

<p><b>17</b></p>  <table border="1" data-bbox="127 683 422 750"> <tr> <td>M</td> <td>8a</td> <td>10a</td> <td>12a</td> </tr> <tr> <td>N</td> <td>14a</td> <td>16a</td> <td>18a</td> </tr> </table>	M	8a	10a	12a	N	14a	16a	18a	<p><b>18</b></p>  <table border="1" data-bbox="478 683 774 750"> <tr> <td>M</td> <td>6a</td> <td>8a</td> <td>10a</td> </tr> <tr> <td>N</td> <td>10a</td> <td>12a</td> <td>14a</td> </tr> </table>	M	6a	8a	10a	N	10a	12a	14a	<p><b>19</b></p>  <table border="1" data-bbox="821 683 1117 750"> <tr> <td>M</td> <td>6a</td> <td>9a</td> <td>12a</td> </tr> <tr> <td>N</td> <td>12a</td> <td>18a</td> <td>24a</td> </tr> </table>	M	6a	9a	12a	N	12a	18a	24a	<p><b>20</b></p>  <table border="1" data-bbox="1173 683 1468 750"> <tr> <td>M</td> <td>5a</td> <td>6a</td> <td>7a</td> </tr> <tr> <td>N</td> <td>9a</td> <td>10a</td> <td>11a</td> </tr> </table>	M	5a	6a	7a	N	9a	10a	11a
M	8a	10a	12a																																
N	14a	16a	18a																																
M	6a	8a	10a																																
N	10a	12a	14a																																
M	6a	9a	12a																																
N	12a	18a	24a																																
M	5a	6a	7a																																
N	9a	10a	11a																																
<p><b>21</b></p>  <table border="1" data-bbox="119 1120 414 1187"> <tr> <td>M</td> <td>8a</td> <td>10a</td> <td>12a</td> </tr> <tr> <td>N</td> <td>12a</td> <td>15a</td> <td>18a</td> </tr> </table>	M	8a	10a	12a	N	12a	15a	18a	<p><b>22</b></p>  <table border="1" data-bbox="470 1120 766 1187"> <tr> <td>M</td> <td>8a</td> <td>12a</td> <td>16a</td> </tr> <tr> <td>N</td> <td>12a</td> <td>18a</td> <td>24a</td> </tr> </table>	M	8a	12a	16a	N	12a	18a	24a	<p><b>23</b></p>  <table border="1" data-bbox="821 1120 1117 1187"> <tr> <td>M</td> <td>8a</td> <td>12a</td> <td>16a</td> </tr> <tr> <td>N</td> <td>12a</td> <td>18a</td> <td>24a</td> </tr> </table>	M	8a	12a	16a	N	12a	18a	24a	<p><b>24</b></p>  <table border="1" data-bbox="1173 1120 1468 1187"> <tr> <td>M</td> <td>6a</td> <td>8a</td> <td>7a</td> </tr> <tr> <td>N</td> <td>16a</td> <td>12a</td> <td>8a</td> </tr> </table>	M	6a	8a	7a	N	16a	12a	8a
M	8a	10a	12a																																
N	12a	15a	18a																																
M	8a	12a	16a																																
N	12a	18a	24a																																
M	8a	12a	16a																																
N	12a	18a	24a																																
M	6a	8a	7a																																
N	16a	12a	8a																																
<p><b>25</b></p>  <table border="1" data-bbox="119 1568 414 1635"> <tr> <td>M</td> <td>6a</td> <td>8a</td> <td>10a</td> </tr> <tr> <td>N</td> <td>12a</td> <td>15a</td> <td>18a</td> </tr> </table>	M	6a	8a	10a	N	12a	15a	18a	<p><b>26</b></p>  <table border="1" data-bbox="470 1568 766 1635"> <tr> <td>M</td> <td>6a</td> <td>9a</td> <td>12a</td> </tr> <tr> <td>N</td> <td>13a</td> <td>16a</td> <td>19a</td> </tr> </table>	M	6a	9a	12a	N	13a	16a	19a	<p><b>27</b></p>  <table border="1" data-bbox="821 1568 1117 1635"> <tr> <td>M</td> <td>12a</td> <td>24a</td> <td>36a</td> </tr> <tr> <td>N</td> <td>6a</td> <td>10a</td> <td>12a</td> </tr> </table>	M	12a	24a	36a	N	6a	10a	12a	<p><b>28</b></p>  <table border="1" data-bbox="1165 1568 1460 1635"> <tr> <td>M</td> <td>12a</td> <td>14a</td> <td>16a</td> </tr> <tr> <td>N</td> <td>8a</td> <td>10a</td> <td>12a</td> </tr> </table>	M	12a	14a	16a	N	8a	10a	12a
M	6a	8a	10a																																
N	12a	15a	18a																																
M	6a	9a	12a																																
N	13a	16a	19a																																
M	12a	24a	36a																																
N	6a	10a	12a																																
M	12a	14a	16a																																
N	8a	10a	12a																																
<p><b>29</b></p>  <table border="1" data-bbox="119 2004 414 2072"> <tr> <td>M</td> <td>8a</td> <td>10a</td> <td>15a</td> </tr> <tr> <td>N</td> <td>12a</td> <td>18a</td> <td>21a</td> </tr> </table>	M	8a	10a	15a	N	12a	18a	21a	<p><b>30</b></p>  <table border="1" data-bbox="470 2004 766 2072"> <tr> <td>M</td> <td>6a</td> <td>8a</td> <td>10a</td> </tr> <tr> <td>N</td> <td>10a</td> <td>15a</td> <td>20a</td> </tr> </table>	M	6a	8a	10a	N	10a	15a	20a	<p><b>31</b></p>  <table border="1" data-bbox="821 2004 1109 2072"> <tr> <td>M</td> <td>6a</td> <td>8a</td> <td>10a</td> </tr> <tr> <td>N</td> <td>6a</td> <td>8a</td> <td>10a</td> </tr> </table>	M	6a	8a	10a	N	6a	8a	10a	<p><b>32</b></p>  <table border="1" data-bbox="1165 2004 1460 2072"> <tr> <td>M</td> <td>8a</td> <td>12a</td> <td>16a</td> </tr> <tr> <td>N</td> <td>2a</td> <td>3a</td> <td>4a</td> </tr> </table>	M	8a	12a	16a	N	2a	3a	4a
M	8a	10a	15a																																
N	12a	18a	21a																																
M	6a	8a	10a																																
N	10a	15a	20a																																
M	6a	8a	10a																																
N	6a	8a	10a																																
M	8a	12a	16a																																
N	2a	3a	4a																																