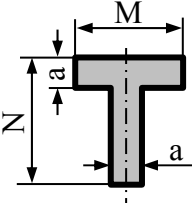
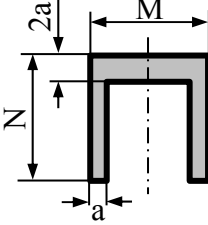
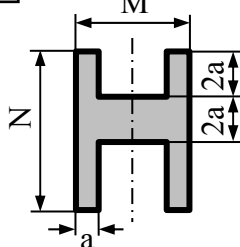
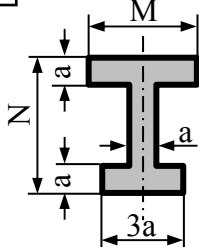
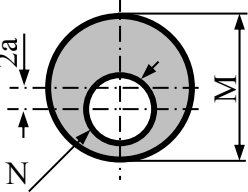
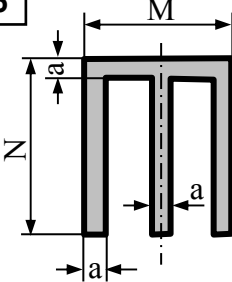
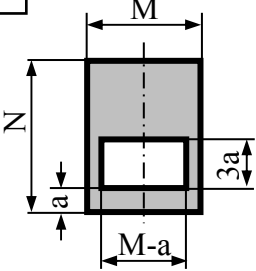
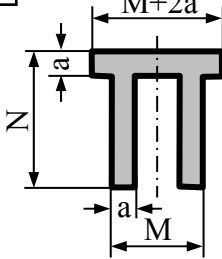
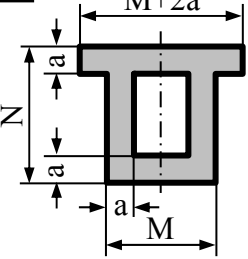
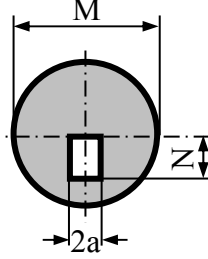
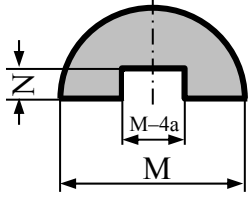
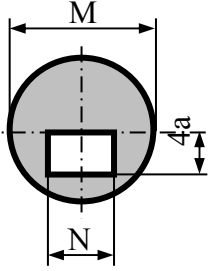
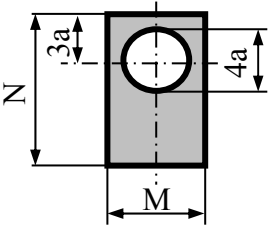
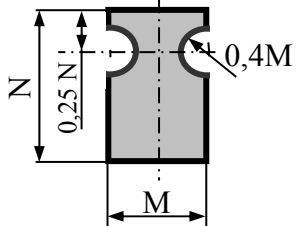
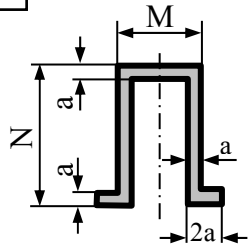
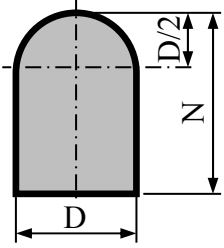


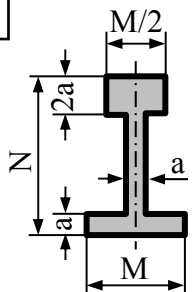
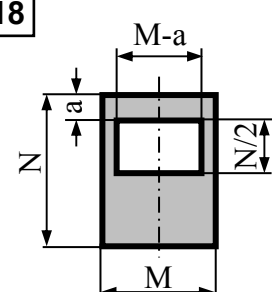
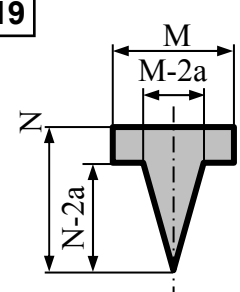
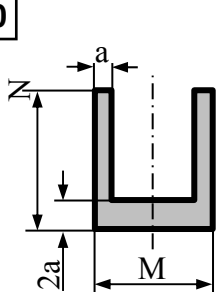
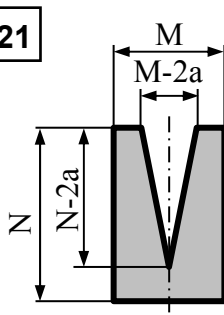
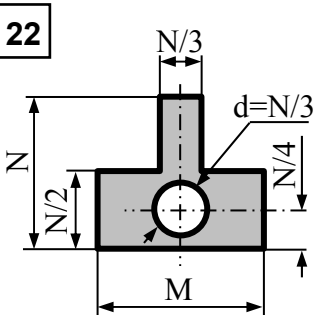
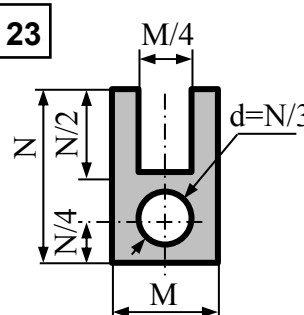
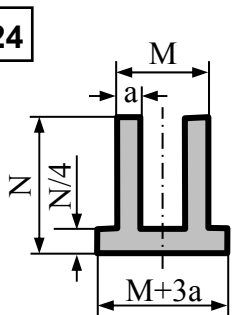
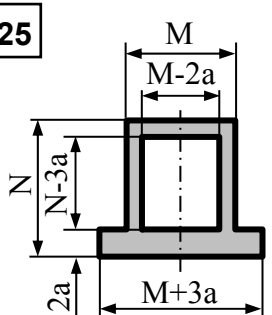
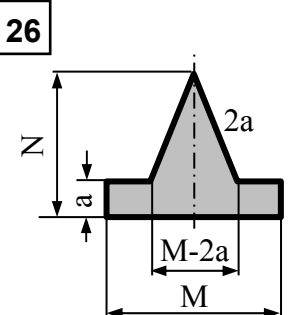
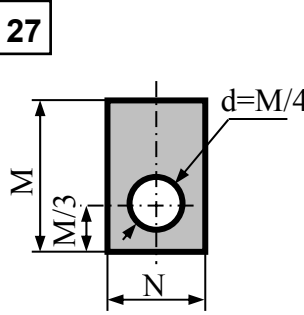
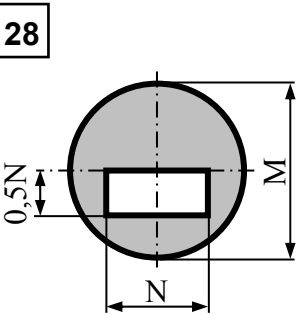
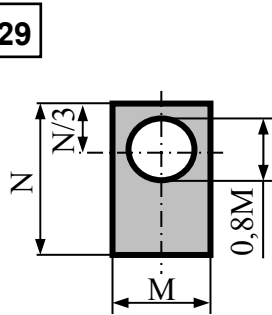
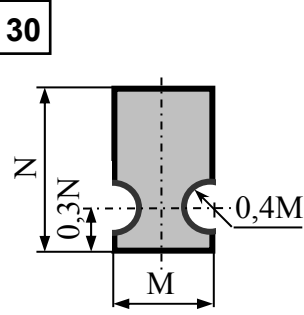
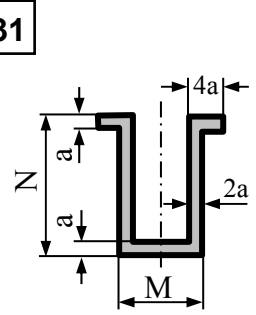
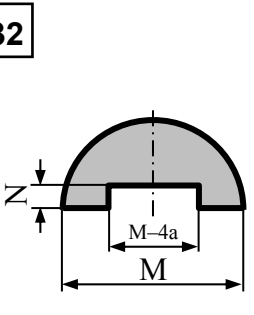
**КУРСОВА РАБОТА**  
 по „Техническа механика“ - II част  
**Задача № 1**

Да се определи положението на главните инерционни оси и  
 да се пресметнат стойностите на главните инерционни моменти.

<p style="text-align: center;"><b>1</b></p>  <table border="1" style="width: 100%; text-align: center; border-collapse: collapse;"> <tr><td>M</td><td>4a</td><td>5a</td><td>6a</td></tr> <tr><td>N</td><td>7a</td><td>9a</td><td>10a</td></tr> </table>	M	4a	5a	6a	N	7a	9a	10a	<p style="text-align: center;"><b>2</b></p>  <table border="1" style="width: 100%; text-align: center; border-collapse: collapse;"> <tr><td>M</td><td>4a</td><td>5a</td><td>6a</td></tr> <tr><td>N</td><td>8a</td><td>9a</td><td>10a</td></tr> </table>	M	4a	5a	6a	N	8a	9a	10a	<p style="text-align: center;"><b>3</b></p>  <table border="1" style="width: 100%; text-align: center; border-collapse: collapse;"> <tr><td>M</td><td>4a</td><td>5a</td><td>6a</td></tr> <tr><td>N</td><td>8a</td><td>9a</td><td>10a</td></tr> </table>	M	4a	5a	6a	N	8a	9a	10a	<p style="text-align: center;"><b>4</b></p>  <table border="1" style="width: 100%; text-align: center; border-collapse: collapse;"> <tr><td>M</td><td>5a</td><td>6a</td><td>7a</td></tr> <tr><td>N</td><td>9a</td><td>10a</td><td>11a</td></tr> </table>	M	5a	6a	7a	N	9a	10a	11a
M	4a	5a	6a																																
N	7a	9a	10a																																
M	4a	5a	6a																																
N	8a	9a	10a																																
M	4a	5a	6a																																
N	8a	9a	10a																																
M	5a	6a	7a																																
N	9a	10a	11a																																
<p style="text-align: center;"><b>5</b></p>  <table border="1" style="width: 100%; text-align: center; border-collapse: collapse;"> <tr><td>M</td><td>12a</td><td>14a</td><td>16a</td></tr> <tr><td>N</td><td>4a</td><td>6a</td><td>8a</td></tr> </table>	M	12a	14a	16a	N	4a	6a	8a	<p style="text-align: center;"><b>6</b></p>  <table border="1" style="width: 100%; text-align: center; border-collapse: collapse;"> <tr><td>M</td><td>10a</td><td>12a</td><td>14a</td></tr> <tr><td>N</td><td>8a</td><td>10a</td><td>12a</td></tr> </table>	M	10a	12a	14a	N	8a	10a	12a	<p style="text-align: center;"><b>7</b></p>  <table border="1" style="width: 100%; text-align: center; border-collapse: collapse;"> <tr><td>M</td><td>4a</td><td>5a</td><td>6a</td></tr> <tr><td>N</td><td>7a</td><td>9a</td><td>10a</td></tr> </table>	M	4a	5a	6a	N	7a	9a	10a	<p style="text-align: center;"><b>8</b></p>  <table border="1" style="width: 100%; text-align: center; border-collapse: collapse;"> <tr><td>M</td><td>6a</td><td>8a</td><td>10a</td></tr> <tr><td>N</td><td>6a</td><td>8a</td><td>10a</td></tr> </table>	M	6a	8a	10a	N	6a	8a	10a
M	12a	14a	16a																																
N	4a	6a	8a																																
M	10a	12a	14a																																
N	8a	10a	12a																																
M	4a	5a	6a																																
N	7a	9a	10a																																
M	6a	8a	10a																																
N	6a	8a	10a																																
<p style="text-align: center;"><b>9</b></p>  <table border="1" style="width: 100%; text-align: center; border-collapse: collapse;"> <tr><td>M</td><td>4a</td><td>5a</td><td>6a</td></tr> <tr><td>N</td><td>7a</td><td>8a</td><td>9a</td></tr> </table>	M	4a	5a	6a	N	7a	8a	9a	<p style="text-align: center;"><b>10</b></p>  <table border="1" style="width: 100%; text-align: center; border-collapse: collapse;"> <tr><td>M</td><td>10a</td><td>12a</td><td>16a</td></tr> <tr><td>N</td><td>3a</td><td>4a</td><td>6a</td></tr> </table>	M	10a	12a	16a	N	3a	4a	6a	<p style="text-align: center;"><b>11</b></p>  <table border="1" style="width: 100%; text-align: center; border-collapse: collapse;"> <tr><td>M</td><td>12a</td><td>16a</td><td>10a</td></tr> <tr><td>N</td><td>4a</td><td>6a</td><td>2a</td></tr> </table>	M	12a	16a	10a	N	4a	6a	2a	<p style="text-align: center;"><b>12</b></p>  <table border="1" style="width: 100%; text-align: center; border-collapse: collapse;"> <tr><td>M</td><td>12a</td><td>14a</td><td>16a</td></tr> <tr><td>N</td><td>4a</td><td>6a</td><td>8a</td></tr> </table>	M	12a	14a	16a	N	4a	6a	8a
M	4a	5a	6a																																
N	7a	8a	9a																																
M	10a	12a	16a																																
N	3a	4a	6a																																
M	12a	16a	10a																																
N	4a	6a	2a																																
M	12a	14a	16a																																
N	4a	6a	8a																																
<p style="text-align: center;"><b>13</b></p>  <table border="1" style="width: 100%; text-align: center; border-collapse: collapse;"> <tr><td>M</td><td>6a</td><td>8a</td><td>10a</td></tr> <tr><td>N</td><td>10a</td><td>12a</td><td>14a</td></tr> </table>	M	6a	8a	10a	N	10a	12a	14a	<p style="text-align: center;"><b>14</b></p>  <table border="1" style="width: 100%; text-align: center; border-collapse: collapse;"> <tr><td>M</td><td>5a</td><td>6a</td><td>10a</td></tr> <tr><td>N</td><td>12a</td><td>16a</td><td>20a</td></tr> </table>	M	5a	6a	10a	N	12a	16a	20a	<p style="text-align: center;"><b>15</b></p>  <table border="1" style="width: 100%; text-align: center; border-collapse: collapse;"> <tr><td>M</td><td>6a</td><td>8a</td><td>10a</td></tr> <tr><td>N</td><td>8a</td><td>10a</td><td>12a</td></tr> </table>	M	6a	8a	10a	N	8a	10a	12a	<p style="text-align: center;"><b>16</b></p>  <table border="1" style="width: 100%; text-align: center; border-collapse: collapse;"> <tr><td>D</td><td>5a</td><td>6a</td><td>7a</td></tr> <tr><td>N</td><td>9a</td><td>10a</td><td>11a</td></tr> </table>	D	5a	6a	7a	N	9a	10a	11a
M	6a	8a	10a																																
N	10a	12a	14a																																
M	5a	6a	10a																																
N	12a	16a	20a																																
M	6a	8a	10a																																
N	8a	10a	12a																																
D	5a	6a	7a																																
N	9a	10a	11a																																

**КУРСОВА РАБОТА**  
 по „Техническа механика“ - II част  
**Задача № 1**

Да се определи положението на главните инерционни оси и  
 да се пресметнат стойностите на главните инерционни моменти.

<p><b>17</b></p>  <table border="1" style="width: 100%; text-align: center; border-collapse: collapse;"> <tr> <td>M</td><td>8a</td><td>10a</td><td>12a</td></tr> <tr> <td>N</td><td>14a</td><td>16a</td><td>18a</td></tr> </table>	M	8a	10a	12a	N	14a	16a	18a	<p><b>18</b></p>  <table border="1" style="width: 100%; text-align: center; border-collapse: collapse;"> <tr> <td>M</td><td>6a</td><td>8a</td><td>10a</td></tr> <tr> <td>N</td><td>10a</td><td>12a</td><td>14a</td></tr> </table>	M	6a	8a	10a	N	10a	12a	14a	<p><b>19</b></p>  <table border="1" style="width: 100%; text-align: center; border-collapse: collapse;"> <tr> <td>M</td><td>6a</td><td>9a</td><td>12a</td></tr> <tr> <td>N</td><td>12a</td><td>18a</td><td>24a</td></tr> </table>	M	6a	9a	12a	N	12a	18a	24a	<p><b>20</b></p>  <table border="1" style="width: 100%; text-align: center; border-collapse: collapse;"> <tr> <td>M</td><td>5a</td><td>6a</td><td>7a</td></tr> <tr> <td>N</td><td>9a</td><td>10a</td><td>11a</td></tr> </table>	M	5a	6a	7a	N	9a	10a	11a
M	8a	10a	12a																																
N	14a	16a	18a																																
M	6a	8a	10a																																
N	10a	12a	14a																																
M	6a	9a	12a																																
N	12a	18a	24a																																
M	5a	6a	7a																																
N	9a	10a	11a																																
<p><b>21</b></p>  <table border="1" style="width: 100%; text-align: center; border-collapse: collapse;"> <tr> <td>M</td><td>8a</td><td>10a</td><td>12a</td></tr> <tr> <td>N</td><td>12a</td><td>15a</td><td>18a</td></tr> </table>	M	8a	10a	12a	N	12a	15a	18a	<p><b>22</b></p>  <table border="1" style="width: 100%; text-align: center; border-collapse: collapse;"> <tr> <td>M</td><td>8a</td><td>12a</td><td>16a</td></tr> <tr> <td>N</td><td>12a</td><td>18a</td><td>24a</td></tr> </table>	M	8a	12a	16a	N	12a	18a	24a	<p><b>23</b></p>  <table border="1" style="width: 100%; text-align: center; border-collapse: collapse;"> <tr> <td>M</td><td>8a</td><td>12a</td><td>16a</td></tr> <tr> <td>N</td><td>12a</td><td>18a</td><td>24a</td></tr> </table>	M	8a	12a	16a	N	12a	18a	24a	<p><b>24</b></p>  <table border="1" style="width: 100%; text-align: center; border-collapse: collapse;"> <tr> <td>M</td><td>6a</td><td>8a</td><td>7a</td></tr> <tr> <td>N</td><td>16a</td><td>12a</td><td>8a</td></tr> </table>	M	6a	8a	7a	N	16a	12a	8a
M	8a	10a	12a																																
N	12a	15a	18a																																
M	8a	12a	16a																																
N	12a	18a	24a																																
M	8a	12a	16a																																
N	12a	18a	24a																																
M	6a	8a	7a																																
N	16a	12a	8a																																
<p><b>25</b></p>  <table border="1" style="width: 100%; text-align: center; border-collapse: collapse;"> <tr> <td>M</td><td>6a</td><td>8a</td><td>10a</td></tr> <tr> <td>N</td><td>12a</td><td>15a</td><td>18a</td></tr> </table>	M	6a	8a	10a	N	12a	15a	18a	<p><b>26</b></p>  <table border="1" style="width: 100%; text-align: center; border-collapse: collapse;"> <tr> <td>M</td><td>6a</td><td>9a</td><td>12a</td></tr> <tr> <td>N</td><td>13a</td><td>16a</td><td>19a</td></tr> </table>	M	6a	9a	12a	N	13a	16a	19a	<p><b>27</b></p>  <table border="1" style="width: 100%; text-align: center; border-collapse: collapse;"> <tr> <td>M</td><td>12a</td><td>24a</td><td>36a</td></tr> <tr> <td>N</td><td>6a</td><td>10a</td><td>12a</td></tr> </table>	M	12a	24a	36a	N	6a	10a	12a	<p><b>28</b></p>  <table border="1" style="width: 100%; text-align: center; border-collapse: collapse;"> <tr> <td>M</td><td>12a</td><td>14a</td><td>16a</td></tr> <tr> <td>N</td><td>8a</td><td>10a</td><td>12a</td></tr> </table>	M	12a	14a	16a	N	8a	10a	12a
M	6a	8a	10a																																
N	12a	15a	18a																																
M	6a	9a	12a																																
N	13a	16a	19a																																
M	12a	24a	36a																																
N	6a	10a	12a																																
M	12a	14a	16a																																
N	8a	10a	12a																																
<p><b>29</b></p>  <table border="1" style="width: 100%; text-align: center; border-collapse: collapse;"> <tr> <td>M</td><td>8a</td><td>10a</td><td>15a</td></tr> <tr> <td>N</td><td>12a</td><td>18a</td><td>21a</td></tr> </table>	M	8a	10a	15a	N	12a	18a	21a	<p><b>30</b></p>  <table border="1" style="width: 100%; text-align: center; border-collapse: collapse;"> <tr> <td>M</td><td>6a</td><td>8a</td><td>10a</td></tr> <tr> <td>N</td><td>10a</td><td>15a</td><td>20a</td></tr> </table>	M	6a	8a	10a	N	10a	15a	20a	<p><b>31</b></p>  <table border="1" style="width: 100%; text-align: center; border-collapse: collapse;"> <tr> <td>M</td><td>6a</td><td>8a</td><td>10a</td></tr> <tr> <td>N</td><td>6a</td><td>8a</td><td>10a</td></tr> </table>	M	6a	8a	10a	N	6a	8a	10a	<p><b>32</b></p>  <table border="1" style="width: 100%; text-align: center; border-collapse: collapse;"> <tr> <td>M</td><td>8a</td><td>12a</td><td>16a</td></tr> <tr> <td>N</td><td>2a</td><td>3a</td><td>4a</td></tr> </table>	M	8a	12a	16a	N	2a	3a	4a
M	8a	10a	15a																																
N	12a	18a	21a																																
M	6a	8a	10a																																
N	10a	15a	20a																																
M	6a	8a	10a																																
N	6a	8a	10a																																
M	8a	12a	16a																																
N	2a	3a	4a																																

Зададена: ***първа седмица;***

Срок на предаване:

- ***втора седмица*** с оценка до 5 точки;
- ***трета седмица*** с оценка до 3 точки;
- ***четвърта седмица*** с оценка до 1 точки;
- **пета-петнадесета седмица** – без точки.