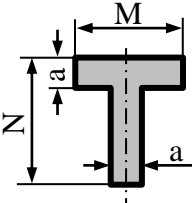
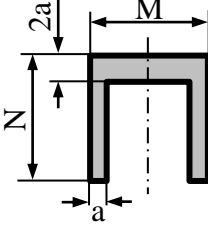
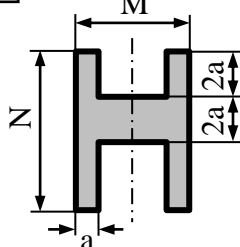
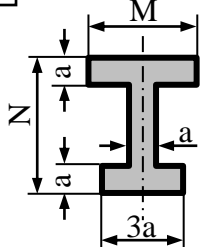
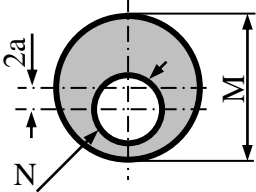
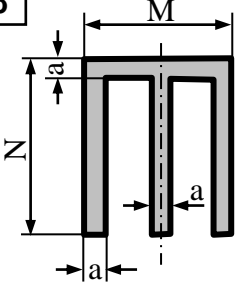
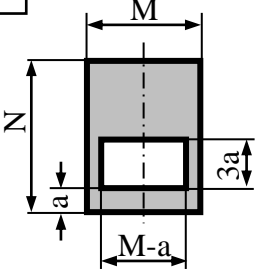
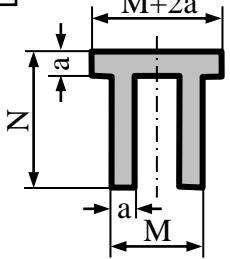
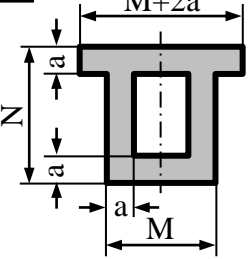
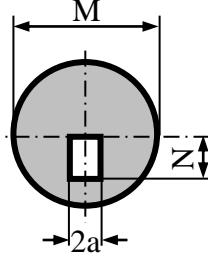
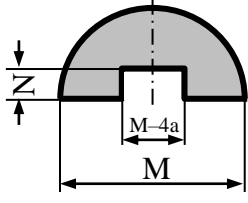
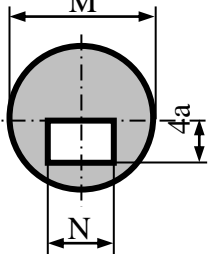
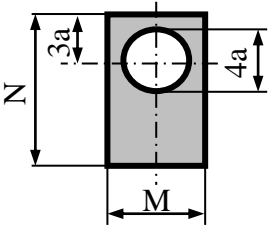
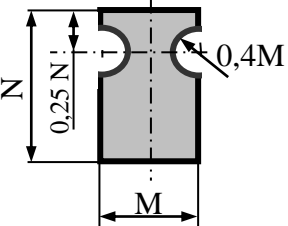
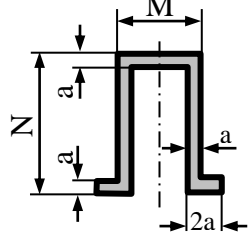
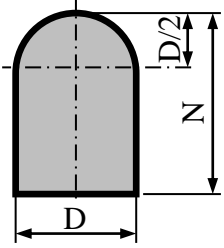


КУРСОВА РАБОТА
по „Съпротивление на материалите“

Задача № 1

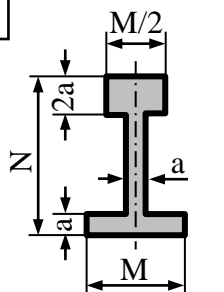
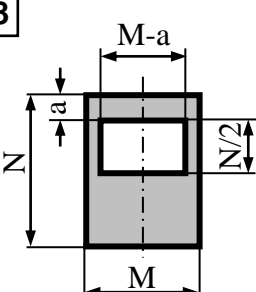
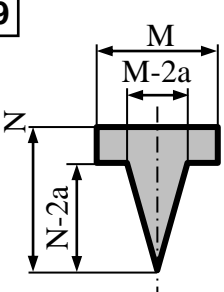
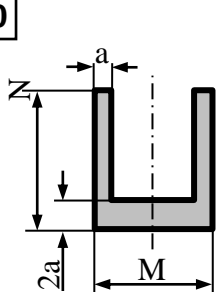
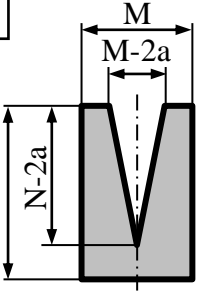
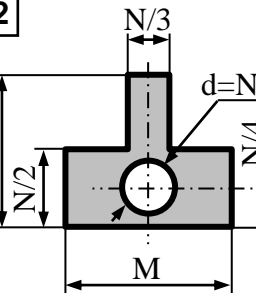
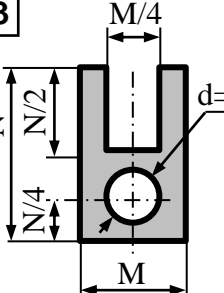
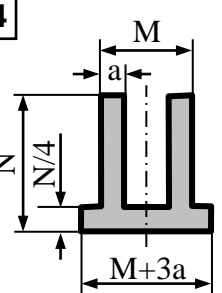
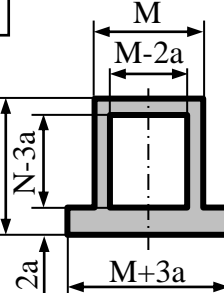
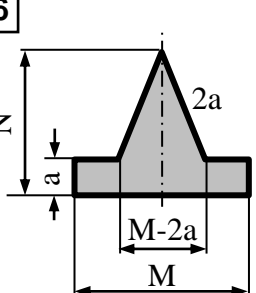
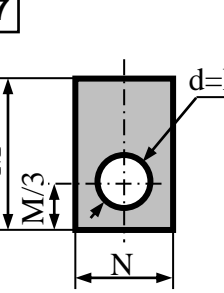
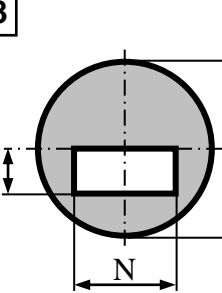
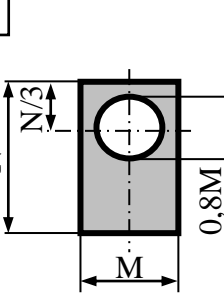
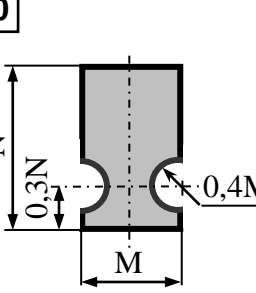
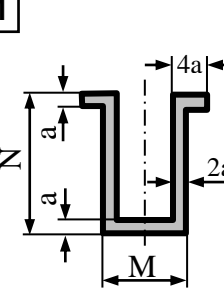
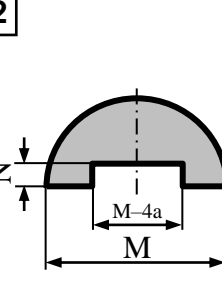
Да се определи положението на главните инерционни оси и да се пресметнат стойностите на главните инерционни моменти.

<p>1</p>  <table border="1" data-bbox="127 683 406 761"> <tr> <td>M</td> <td>4a</td> <td>5a</td> <td>6a</td> </tr> <tr> <td>N</td> <td>7a</td> <td>9a</td> <td>10a</td> </tr> </table>	M	4a	5a	6a	N	7a	9a	10a	<p>2</p>  <table border="1" data-bbox="478 683 758 761"> <tr> <td>M</td> <td>4a</td> <td>5a</td> <td>6a</td> </tr> <tr> <td>N</td> <td>8a</td> <td>9a</td> <td>10a</td> </tr> </table>	M	4a	5a	6a	N	8a	9a	10a	<p>3</p>  <table border="1" data-bbox="829 683 1109 761"> <tr> <td>M</td> <td>4a</td> <td>5a</td> <td>6a</td> </tr> <tr> <td>N</td> <td>8a</td> <td>9a</td> <td>10a</td> </tr> </table>	M	4a	5a	6a	N	8a	9a	10a	<p>4</p>  <table border="1" data-bbox="1173 683 1460 761"> <tr> <td>M</td> <td>5a</td> <td>6a</td> <td>7a</td> </tr> <tr> <td>N</td> <td>9a</td> <td>10a</td> <td>11a</td> </tr> </table>	M	5a	6a	7a	N	9a	10a	11a
M	4a	5a	6a																																
N	7a	9a	10a																																
M	4a	5a	6a																																
N	8a	9a	10a																																
M	4a	5a	6a																																
N	8a	9a	10a																																
M	5a	6a	7a																																
N	9a	10a	11a																																
<p>5</p>  <table border="1" data-bbox="119 1120 414 1198"> <tr> <td>M</td> <td>12a</td> <td>14a</td> <td>16a</td> </tr> <tr> <td>N</td> <td>4a</td> <td>6a</td> <td>8a</td> </tr> </table>	M	12a	14a	16a	N	4a	6a	8a	<p>6</p>  <table border="1" data-bbox="470 1120 766 1198"> <tr> <td>M</td> <td>10a</td> <td>12a</td> <td>14a</td> </tr> <tr> <td>N</td> <td>8a</td> <td>10a</td> <td>12a</td> </tr> </table>	M	10a	12a	14a	N	8a	10a	12a	<p>7</p>  <table border="1" data-bbox="821 1120 1101 1198"> <tr> <td>M</td> <td>4a</td> <td>5a</td> <td>6a</td> </tr> <tr> <td>N</td> <td>7a</td> <td>9a</td> <td>10a</td> </tr> </table>	M	4a	5a	6a	N	7a	9a	10a	<p>8</p>  <table border="1" data-bbox="1173 1120 1460 1198"> <tr> <td>M</td> <td>6a</td> <td>8a</td> <td>10a</td> </tr> <tr> <td>N</td> <td>6a</td> <td>8a</td> <td>10a</td> </tr> </table>	M	6a	8a	10a	N	6a	8a	10a
M	12a	14a	16a																																
N	4a	6a	8a																																
M	10a	12a	14a																																
N	8a	10a	12a																																
M	4a	5a	6a																																
N	7a	9a	10a																																
M	6a	8a	10a																																
N	6a	8a	10a																																
<p>9</p>  <table border="1" data-bbox="119 1568 399 1646"> <tr> <td>M</td> <td>4a</td> <td>5a</td> <td>6a</td> </tr> <tr> <td>N</td> <td>7a</td> <td>8a</td> <td>9a</td> </tr> </table>	M	4a	5a	6a	N	7a	8a	9a	<p>10</p>  <table border="1" data-bbox="470 1568 766 1646"> <tr> <td>M</td> <td>10a</td> <td>12a</td> <td>16a</td> </tr> <tr> <td>N</td> <td>3a</td> <td>4a</td> <td>6a</td> </tr> </table>	M	10a	12a	16a	N	3a	4a	6a	<p>11</p>  <table border="1" data-bbox="821 1568 1109 1646"> <tr> <td>M</td> <td>12a</td> <td>16a</td> <td>10a</td> </tr> <tr> <td>N</td> <td>4a</td> <td>6a</td> <td>2a</td> </tr> </table>	M	12a	16a	10a	N	4a	6a	2a	<p>12</p>  <table border="1" data-bbox="1173 1568 1460 1646"> <tr> <td>M</td> <td>12a</td> <td>14a</td> <td>16a</td> </tr> <tr> <td>N</td> <td>4a</td> <td>6a</td> <td>8a</td> </tr> </table>	M	12a	14a	16a	N	4a	6a	8a
M	4a	5a	6a																																
N	7a	8a	9a																																
M	10a	12a	16a																																
N	3a	4a	6a																																
M	12a	16a	10a																																
N	4a	6a	2a																																
M	12a	14a	16a																																
N	4a	6a	8a																																
<p>13</p>  <table border="1" data-bbox="119 2016 414 2094"> <tr> <td>M</td> <td>6a</td> <td>8a</td> <td>10a</td> </tr> <tr> <td>N</td> <td>10a</td> <td>12a</td> <td>14a</td> </tr> </table>	M	6a	8a	10a	N	10a	12a	14a	<p>14</p>  <table border="1" data-bbox="470 2016 766 2094"> <tr> <td>M</td> <td>5a</td> <td>6a</td> <td>10a</td> </tr> <tr> <td>N</td> <td>12a</td> <td>16a</td> <td>20a</td> </tr> </table>	M	5a	6a	10a	N	12a	16a	20a	<p>15</p>  <table border="1" data-bbox="821 2016 1109 2094"> <tr> <td>M</td> <td>6a</td> <td>8a</td> <td>10a</td> </tr> <tr> <td>N</td> <td>8a</td> <td>10a</td> <td>12a</td> </tr> </table>	M	6a	8a	10a	N	8a	10a	12a	<p>16</p>  <table border="1" data-bbox="1173 2016 1460 2094"> <tr> <td>D</td> <td>5a</td> <td>6a</td> <td>7a</td> </tr> <tr> <td>N</td> <td>9a</td> <td>10a</td> <td>11a</td> </tr> </table>	D	5a	6a	7a	N	9a	10a	11a
M	6a	8a	10a																																
N	10a	12a	14a																																
M	5a	6a	10a																																
N	12a	16a	20a																																
M	6a	8a	10a																																
N	8a	10a	12a																																
D	5a	6a	7a																																
N	9a	10a	11a																																

КУРСОВА РАБОТА
по „Съпротивление на материалите“

Задача № 1

Да се определи положението на главните инерционни оси и
да се пресметнат стойностите на главните инерционни моменти.

<p>17</p>  <table border="1" data-bbox="127 672 414 761"> <tr> <td>M</td> <td>8a</td> <td>10a</td> <td>12a</td> </tr> <tr> <td>N</td> <td>14a</td> <td>16a</td> <td>18a</td> </tr> </table>	M	8a	10a	12a	N	14a	16a	18a	<p>18</p>  <table border="1" data-bbox="478 672 766 761"> <tr> <td>M</td> <td>6a</td> <td>8a</td> <td>10a</td> </tr> <tr> <td>N</td> <td>10a</td> <td>12a</td> <td>14a</td> </tr> </table>	M	6a	8a	10a	N	10a	12a	14a	<p>19</p>  <table border="1" data-bbox="829 672 1117 761"> <tr> <td>M</td> <td>6a</td> <td>9a</td> <td>12a</td> </tr> <tr> <td>N</td> <td>12a</td> <td>18a</td> <td>24a</td> </tr> </table>	M	6a	9a	12a	N	12a	18a	24a	<p>20</p>  <table border="1" data-bbox="1181 672 1468 761"> <tr> <td>M</td> <td>5a</td> <td>6a</td> <td>7a</td> </tr> <tr> <td>N</td> <td>9a</td> <td>10a</td> <td>11a</td> </tr> </table>	M	5a	6a	7a	N	9a	10a	11a
M	8a	10a	12a																																
N	14a	16a	18a																																
M	6a	8a	10a																																
N	10a	12a	14a																																
M	6a	9a	12a																																
N	12a	18a	24a																																
M	5a	6a	7a																																
N	9a	10a	11a																																
<p>21</p>  <table border="1" data-bbox="127 1120 414 1209"> <tr> <td>M</td> <td>8a</td> <td>10a</td> <td>12a</td> </tr> <tr> <td>N</td> <td>12a</td> <td>15a</td> <td>18a</td> </tr> </table>	M	8a	10a	12a	N	12a	15a	18a	<p>22</p>  <table border="1" data-bbox="478 1120 766 1209"> <tr> <td>M</td> <td>8a</td> <td>12a</td> <td>16a</td> </tr> <tr> <td>N</td> <td>12a</td> <td>18a</td> <td>24a</td> </tr> </table>	M	8a	12a	16a	N	12a	18a	24a	<p>23</p>  <table border="1" data-bbox="829 1120 1117 1209"> <tr> <td>M</td> <td>8a</td> <td>12a</td> <td>16a</td> </tr> <tr> <td>N</td> <td>12a</td> <td>18a</td> <td>24a</td> </tr> </table>	M	8a	12a	16a	N	12a	18a	24a	<p>24</p>  <table border="1" data-bbox="1181 1120 1468 1209"> <tr> <td>M</td> <td>6a</td> <td>8a</td> <td>7a</td> </tr> <tr> <td>N</td> <td>16a</td> <td>12a</td> <td>8a</td> </tr> </table>	M	6a	8a	7a	N	16a	12a	8a
M	8a	10a	12a																																
N	12a	15a	18a																																
M	8a	12a	16a																																
N	12a	18a	24a																																
M	8a	12a	16a																																
N	12a	18a	24a																																
M	6a	8a	7a																																
N	16a	12a	8a																																
<p>25</p>  <table border="1" data-bbox="127 1568 414 1657"> <tr> <td>M</td> <td>6a</td> <td>8a</td> <td>10a</td> </tr> <tr> <td>N</td> <td>12a</td> <td>15a</td> <td>18a</td> </tr> </table>	M	6a	8a	10a	N	12a	15a	18a	<p>26</p>  <table border="1" data-bbox="478 1568 766 1657"> <tr> <td>M</td> <td>6a</td> <td>9a</td> <td>12a</td> </tr> <tr> <td>N</td> <td>13a</td> <td>16a</td> <td>19a</td> </tr> </table>	M	6a	9a	12a	N	13a	16a	19a	<p>27</p>  <table border="1" data-bbox="829 1568 1117 1657"> <tr> <td>M</td> <td>12a</td> <td>24a</td> <td>36a</td> </tr> <tr> <td>N</td> <td>6a</td> <td>10a</td> <td>12a</td> </tr> </table>	M	12a	24a	36a	N	6a	10a	12a	<p>28</p>  <table border="1" data-bbox="1181 1568 1468 1657"> <tr> <td>M</td> <td>12a</td> <td>14a</td> <td>16a</td> </tr> <tr> <td>N</td> <td>8a</td> <td>10a</td> <td>12a</td> </tr> </table>	M	12a	14a	16a	N	8a	10a	12a
M	6a	8a	10a																																
N	12a	15a	18a																																
M	6a	9a	12a																																
N	13a	16a	19a																																
M	12a	24a	36a																																
N	6a	10a	12a																																
M	12a	14a	16a																																
N	8a	10a	12a																																
<p>29</p>  <table border="1" data-bbox="127 2016 414 2105"> <tr> <td>M</td> <td>8a</td> <td>10a</td> <td>15a</td> </tr> <tr> <td>N</td> <td>12a</td> <td>18a</td> <td>21a</td> </tr> </table>	M	8a	10a	15a	N	12a	18a	21a	<p>30</p>  <table border="1" data-bbox="478 2016 766 2105"> <tr> <td>M</td> <td>6a</td> <td>8a</td> <td>10a</td> </tr> <tr> <td>N</td> <td>10a</td> <td>15a</td> <td>20a</td> </tr> </table>	M	6a	8a	10a	N	10a	15a	20a	<p>31</p>  <table border="1" data-bbox="829 2016 1117 2105"> <tr> <td>M</td> <td>6a</td> <td>8a</td> <td>10a</td> </tr> <tr> <td>N</td> <td>6a</td> <td>8a</td> <td>10a</td> </tr> </table>	M	6a	8a	10a	N	6a	8a	10a	<p>32</p>  <table border="1" data-bbox="1181 2016 1468 2105"> <tr> <td>M</td> <td>8a</td> <td>12a</td> <td>16a</td> </tr> <tr> <td>N</td> <td>2a</td> <td>3a</td> <td>4a</td> </tr> </table>	M	8a	12a	16a	N	2a	3a	4a
M	8a	10a	15a																																
N	12a	18a	21a																																
M	6a	8a	10a																																
N	10a	15a	20a																																
M	6a	8a	10a																																
N	6a	8a	10a																																
M	8a	12a	16a																																
N	2a	3a	4a																																