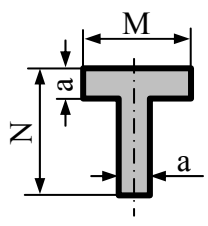
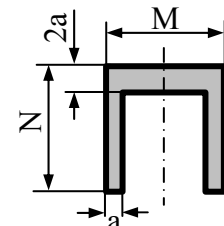
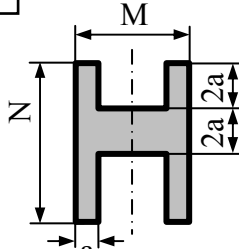
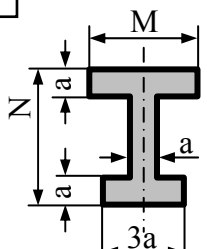
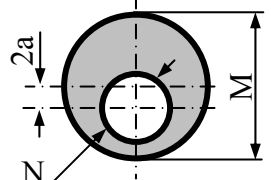
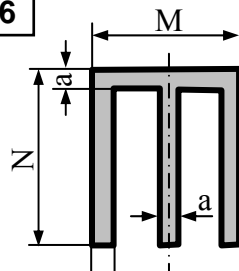
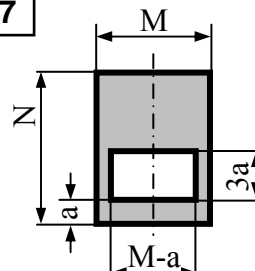
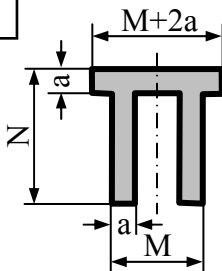
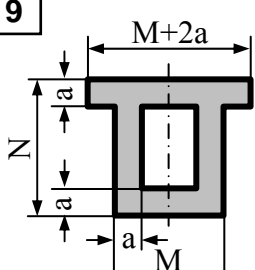
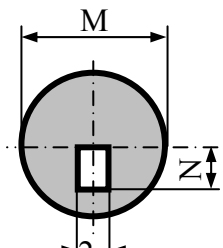
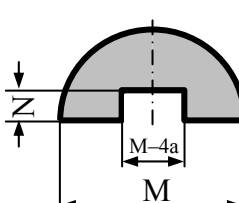
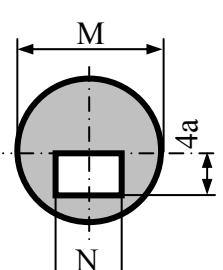
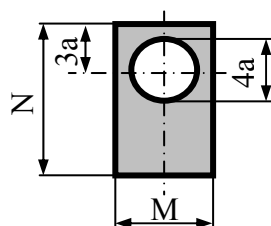
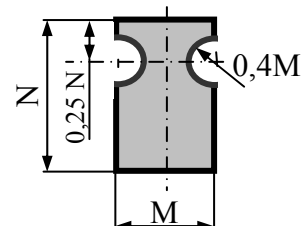
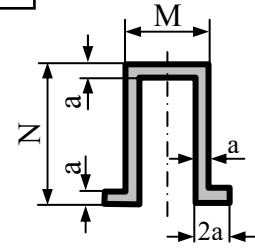
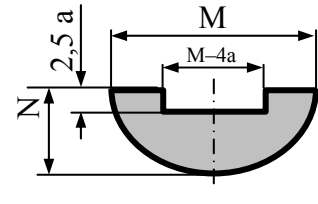


### HOMEWORK #3: CENTROIDS AND MOMENTS OF INERTIA

For the given figures determine:

1. The centroid;
2. The principal moments of inertia.

<div style="border: 1px solid black; padding: 5px; width: 40px; margin: 0 auto;">1</div> 	<div style="border: 1px solid black; padding: 5px; width: 40px; margin: 0 auto;">2</div> 	<div style="border: 1px solid black; padding: 5px; width: 40px; margin: 0 auto;">3</div> 	<div style="border: 1px solid black; padding: 5px; width: 40px; margin: 0 auto;">4</div> 																																																																																				
<table border="1" style="width: 100%; border-collapse: collapse;"> <thead> <tr> <th>Var.</th><th>1</th><th>2</th><th>3</th><th>4</th><th>5</th><th>6</th></tr> </thead> <tbody> <tr> <td>M</td><td>4a</td><td>5a</td><td>6a</td><td>7a</td><td>8a</td><td>9a</td></tr> <tr> <td>N</td><td>7a</td><td>9a</td><td>10a</td><td>11a</td><td>13a</td><td>14a</td></tr> </tbody> </table>	Var.	1	2	3	4	5	6	M	4a	5a	6a	7a	8a	9a	N	7a	9a	10a	11a	13a	14a	<table border="1" style="width: 100%; border-collapse: collapse;"> <thead> <tr> <th>Var.</th><th>1</th><th>2</th><th>3</th><th>4</th><th>5</th><th>6</th></tr> </thead> <tbody> <tr> <td>M</td><td>4a</td><td>5a</td><td>6a</td><td>7a</td><td>8a</td><td>9a</td></tr> <tr> <td>N</td><td>7a</td><td>9a</td><td>10a</td><td>11a</td><td>13a</td><td>14a</td></tr> </tbody> </table>	Var.	1	2	3	4	5	6	M	4a	5a	6a	7a	8a	9a	N	7a	9a	10a	11a	13a	14a	<table border="1" style="width: 100%; border-collapse: collapse;"> <thead> <tr> <th>Var.</th><th>1</th><th>2</th><th>3</th><th>4</th><th>5</th><th>6</th></tr> </thead> <tbody> <tr> <td>M</td><td>4a</td><td>5a</td><td>6a</td><td>7a</td><td>8a</td><td>9a</td></tr> <tr> <td>N</td><td>7a</td><td>9a</td><td>10a</td><td>11a</td><td>13a</td><td>14a</td></tr> </tbody> </table>	Var.	1	2	3	4	5	6	M	4a	5a	6a	7a	8a	9a	N	7a	9a	10a	11a	13a	14a	<table border="1" style="width: 100%; border-collapse: collapse;"> <thead> <tr> <th>Var.</th><th>1</th><th>2</th><th>3</th><th>4</th><th>5</th><th>6</th></tr> </thead> <tbody> <tr> <td>M</td><td>5a</td><td>6a</td><td>7a</td><td>8a</td><td>9a</td><td>10a</td></tr> <tr> <td>N</td><td>9a</td><td>10a</td><td>11a</td><td>13a</td><td>14a</td><td>15a</td></tr> </tbody> </table>	Var.	1	2	3	4	5	6	M	5a	6a	7a	8a	9a	10a	N	9a	10a	11a	13a	14a	15a
Var.	1	2	3	4	5	6																																																																																	
M	4a	5a	6a	7a	8a	9a																																																																																	
N	7a	9a	10a	11a	13a	14a																																																																																	
Var.	1	2	3	4	5	6																																																																																	
M	4a	5a	6a	7a	8a	9a																																																																																	
N	7a	9a	10a	11a	13a	14a																																																																																	
Var.	1	2	3	4	5	6																																																																																	
M	4a	5a	6a	7a	8a	9a																																																																																	
N	7a	9a	10a	11a	13a	14a																																																																																	
Var.	1	2	3	4	5	6																																																																																	
M	5a	6a	7a	8a	9a	10a																																																																																	
N	9a	10a	11a	13a	14a	15a																																																																																	
<div style="border: 1px solid black; padding: 5px; width: 40px; margin: 0 auto;">5</div> 	<div style="border: 1px solid black; padding: 5px; width: 40px; margin: 0 auto;">6</div> 	<div style="border: 1px solid black; padding: 5px; width: 40px; margin: 0 auto;">7</div> 	<div style="border: 1px solid black; padding: 5px; width: 40px; margin: 0 auto;">8</div> 																																																																																				
<table border="1" style="width: 100%; border-collapse: collapse;"> <thead> <tr> <th>Var.</th><th>1</th><th>2</th><th>3</th><th>4</th><th>5</th><th>6</th></tr> </thead> <tbody> <tr> <td>M</td><td>12a</td><td>14a</td><td>16a</td><td>18a</td><td>19a</td><td>22a</td></tr> <tr> <td>N</td><td>4a</td><td>6a</td><td>8a</td><td>10a</td><td>11a</td><td>12a</td></tr> </tbody> </table>	Var.	1	2	3	4	5	6	M	12a	14a	16a	18a	19a	22a	N	4a	6a	8a	10a	11a	12a	<table border="1" style="width: 100%; border-collapse: collapse;"> <thead> <tr> <th>Var.</th><th>1</th><th>2</th><th>3</th><th>4</th><th>5</th><th>6</th></tr> </thead> <tbody> <tr> <td>M</td><td>10a</td><td>12a</td><td>14a</td><td>16a</td><td>17a</td><td>19a</td></tr> <tr> <td>N</td><td>8a</td><td>10a</td><td>12a</td><td>13a</td><td>14a</td><td>16a</td></tr> </tbody> </table>	Var.	1	2	3	4	5	6	M	10a	12a	14a	16a	17a	19a	N	8a	10a	12a	13a	14a	16a	<table border="1" style="width: 100%; border-collapse: collapse;"> <thead> <tr> <th>Var.</th><th>1</th><th>2</th><th>3</th><th>4</th><th>5</th><th>6</th></tr> </thead> <tbody> <tr> <td>M</td><td>4a</td><td>5a</td><td>6a</td><td>7a</td><td>8a</td><td>9a</td></tr> <tr> <td>N</td><td>7a</td><td>9a</td><td>10a</td><td>11a</td><td>13a</td><td>14a</td></tr> </tbody> </table>	Var.	1	2	3	4	5	6	M	4a	5a	6a	7a	8a	9a	N	7a	9a	10a	11a	13a	14a	<table border="1" style="width: 100%; border-collapse: collapse;"> <thead> <tr> <th>Var.</th><th>1</th><th>2</th><th>3</th><th>4</th><th>5</th><th>6</th></tr> </thead> <tbody> <tr> <td>M</td><td>6a</td><td>8a</td><td>10a</td><td>12a</td><td>13a</td><td>14a</td></tr> <tr> <td>N</td><td>6a</td><td>8a</td><td>10a</td><td>10a</td><td>11a</td><td>12a</td></tr> </tbody> </table>	Var.	1	2	3	4	5	6	M	6a	8a	10a	12a	13a	14a	N	6a	8a	10a	10a	11a	12a
Var.	1	2	3	4	5	6																																																																																	
M	12a	14a	16a	18a	19a	22a																																																																																	
N	4a	6a	8a	10a	11a	12a																																																																																	
Var.	1	2	3	4	5	6																																																																																	
M	10a	12a	14a	16a	17a	19a																																																																																	
N	8a	10a	12a	13a	14a	16a																																																																																	
Var.	1	2	3	4	5	6																																																																																	
M	4a	5a	6a	7a	8a	9a																																																																																	
N	7a	9a	10a	11a	13a	14a																																																																																	
Var.	1	2	3	4	5	6																																																																																	
M	6a	8a	10a	12a	13a	14a																																																																																	
N	6a	8a	10a	10a	11a	12a																																																																																	
<div style="border: 1px solid black; padding: 5px; width: 40px; margin: 0 auto;">9</div> 	<div style="border: 1px solid black; padding: 5px; width: 40px; margin: 0 auto;">10</div> 	<div style="border: 1px solid black; padding: 5px; width: 40px; margin: 0 auto;">11</div> 	<div style="border: 1px solid black; padding: 5px; width: 40px; margin: 0 auto;">12</div> 																																																																																				
<table border="1" style="width: 100%; border-collapse: collapse;"> <thead> <tr> <th>Var.</th><th>1</th><th>2</th><th>3</th><th>4</th><th>5</th><th>6</th></tr> </thead> <tbody> <tr> <td>M</td><td>4a</td><td>5a</td><td>6a</td><td>7a</td><td>8a</td><td>9a</td></tr> <tr> <td>N</td><td>7a</td><td>8a</td><td>9a</td><td>11a</td><td>13a</td><td>14a</td></tr> </tbody> </table>	Var.	1	2	3	4	5	6	M	4a	5a	6a	7a	8a	9a	N	7a	8a	9a	11a	13a	14a	<table border="1" style="width: 100%; border-collapse: collapse;"> <thead> <tr> <th>Var.</th><th>1</th><th>2</th><th>3</th><th>4</th><th>5</th><th>6</th></tr> </thead> <tbody> <tr> <td>M</td><td>10a</td><td>12a</td><td>14a</td><td>16a</td><td>17a</td><td>18a</td></tr> <tr> <td>N</td><td>3a</td><td>4a</td><td>5a</td><td>6a</td><td>7a</td><td>8a</td></tr> </tbody> </table>	Var.	1	2	3	4	5	6	M	10a	12a	14a	16a	17a	18a	N	3a	4a	5a	6a	7a	8a	<table border="1" style="width: 100%; border-collapse: collapse;"> <thead> <tr> <th>Var.</th><th>1</th><th>2</th><th>3</th><th>4</th><th>5</th><th>6</th></tr> </thead> <tbody> <tr> <td>M</td><td>12a</td><td>16a</td><td>10a</td><td>14a</td><td>17a</td><td>18a</td></tr> <tr> <td>N</td><td>4a</td><td>6a</td><td>2a</td><td>3a</td><td>4a</td><td>4a</td></tr> </tbody> </table>	Var.	1	2	3	4	5	6	M	12a	16a	10a	14a	17a	18a	N	4a	6a	2a	3a	4a	4a	<table border="1" style="width: 100%; border-collapse: collapse;"> <thead> <tr> <th>Var.</th><th>1</th><th>2</th><th>3</th><th>4</th><th>5</th><th>6</th></tr> </thead> <tbody> <tr> <td>M</td><td>12a</td><td>14a</td><td>16a</td><td>18a</td><td>19a</td><td>22a</td></tr> <tr> <td>N</td><td>4a</td><td>6a</td><td>8a</td><td>10a</td><td>11a</td><td>12a</td></tr> </tbody> </table>	Var.	1	2	3	4	5	6	M	12a	14a	16a	18a	19a	22a	N	4a	6a	8a	10a	11a	12a
Var.	1	2	3	4	5	6																																																																																	
M	4a	5a	6a	7a	8a	9a																																																																																	
N	7a	8a	9a	11a	13a	14a																																																																																	
Var.	1	2	3	4	5	6																																																																																	
M	10a	12a	14a	16a	17a	18a																																																																																	
N	3a	4a	5a	6a	7a	8a																																																																																	
Var.	1	2	3	4	5	6																																																																																	
M	12a	16a	10a	14a	17a	18a																																																																																	
N	4a	6a	2a	3a	4a	4a																																																																																	
Var.	1	2	3	4	5	6																																																																																	
M	12a	14a	16a	18a	19a	22a																																																																																	
N	4a	6a	8a	10a	11a	12a																																																																																	
<div style="border: 1px solid black; padding: 5px; width: 40px; margin: 0 auto;">13</div> 	<div style="border: 1px solid black; padding: 5px; width: 40px; margin: 0 auto;">14</div> 	<div style="border: 1px solid black; padding: 5px; width: 40px; margin: 0 auto;">15</div> 	<div style="border: 1px solid black; padding: 5px; width: 40px; margin: 0 auto;">16</div> 																																																																																				
<table border="1" style="width: 100%; border-collapse: collapse;"> <thead> <tr> <th>Var.</th><th>1</th><th>2</th><th>3</th><th>4</th><th>5</th><th>6</th></tr> </thead> <tbody> <tr> <td>M</td><td>6a</td><td>8a</td><td>10a</td><td>11a</td><td>12a</td><td>14a</td></tr> <tr> <td>N</td><td>10a</td><td>12a</td><td>14a</td><td>15a</td><td>18a</td><td>20a</td></tr> </tbody> </table>	Var.	1	2	3	4	5	6	M	6a	8a	10a	11a	12a	14a	N	10a	12a	14a	15a	18a	20a	<table border="1" style="width: 100%; border-collapse: collapse;"> <thead> <tr> <th>Var.</th><th>1</th><th>2</th><th>3</th><th>4</th><th>5</th><th>6</th></tr> </thead> <tbody> <tr> <td>M</td><td>5a</td><td>6a</td><td>10a</td><td>11a</td><td>12a</td><td>14a</td></tr> <tr> <td>N</td><td>12a</td><td>16a</td><td>20a</td><td>17a</td><td>18a</td><td>22a</td></tr> </tbody> </table>	Var.	1	2	3	4	5	6	M	5a	6a	10a	11a	12a	14a	N	12a	16a	20a	17a	18a	22a	<table border="1" style="width: 100%; border-collapse: collapse;"> <thead> <tr> <th>Var.</th><th>1</th><th>2</th><th>3</th><th>4</th><th>5</th><th>6</th></tr> </thead> <tbody> <tr> <td>M</td><td>6a</td><td>8a</td><td>10a</td><td>11a</td><td>12a</td><td>14a</td></tr> <tr> <td>N</td><td>8a</td><td>10a</td><td>12a</td><td>15a</td><td>16a</td><td>18a</td></tr> </tbody> </table>	Var.	1	2	3	4	5	6	M	6a	8a	10a	11a	12a	14a	N	8a	10a	12a	15a	16a	18a	<table border="1" style="width: 100%; border-collapse: collapse;"> <thead> <tr> <th>Var.</th><th>1</th><th>2</th><th>3</th><th>4</th><th>5</th><th>6</th></tr> </thead> <tbody> <tr> <td>M</td><td>5a</td><td>6a</td><td>7a</td><td>8a</td><td>10a</td><td>12a</td></tr> <tr> <td>N</td><td>9a</td><td>10a</td><td>11a</td><td>12a</td><td>14a</td><td>16a</td></tr> </tbody> </table>	Var.	1	2	3	4	5	6	M	5a	6a	7a	8a	10a	12a	N	9a	10a	11a	12a	14a	16a
Var.	1	2	3	4	5	6																																																																																	
M	6a	8a	10a	11a	12a	14a																																																																																	
N	10a	12a	14a	15a	18a	20a																																																																																	
Var.	1	2	3	4	5	6																																																																																	
M	5a	6a	10a	11a	12a	14a																																																																																	
N	12a	16a	20a	17a	18a	22a																																																																																	
Var.	1	2	3	4	5	6																																																																																	
M	6a	8a	10a	11a	12a	14a																																																																																	
N	8a	10a	12a	15a	16a	18a																																																																																	
Var.	1	2	3	4	5	6																																																																																	
M	5a	6a	7a	8a	10a	12a																																																																																	
N	9a	10a	11a	12a	14a	16a																																																																																	

**17**

Var.	1	2	3	4	5	6
M	8a	10a	12a	13a	14a	16a
N	14a	16a	18a	17a	19a	22a

**18**

Var.	1	2	3	4	5	6
M	6a	8a	10a	11a	12a	14a
N	10a	12a	14a	15a	18a	20a

**19**

Var.	1	2	3	4	5	6
M	6a	9a	12a	13a	14a	15a
N	12a	18a	24a	26a	27a	28a

**20**

Var.	1	2	3	4	5	6
M	5a	6a	7a	8a	10a	12a
N	9a	10a	11a	12a	14a	16a

**21**

Var.	1	2	3	4	5	6
M	8a	10a	12a	13a	14a	16a
N	12a	15a	18a	17a	19a	22a

**22**

Var.	1	2	3	4	5	6
M	8a	12a	16a	18a	19a	20a
N	12a	18a	24a	24a	25a	26a

**23**

Var.	1	2	3	4	5	6
M	8a	12a	16a	18a	19a	20a
N	12a	18a	24a	24a	25a	26a

**24**

Var.	1	2	3	4	5	6
M	6a	8a	7a	10a	11a	13a
N	16a	12a	8a	14a	16a	17a

**25**

Var.	1	2	3	4	5	6
M	6a	8a	10a	11a	12a	14a
N	12a	15a	18a	19a	21a	23a

**26**

Var.	1	2	3	4	5	6
M	6a	9a	12a	13a	14a	15a
N	13a	16a	19a	21a	24a	26a

**27**

Var.	1	2	3	4	5	6
M	12a	24a	36a	20a	26a	16a
N	6a	10a	12a	10a	12a	8a

**28**

Var.	1	2	3	4	5	6
M	12a	14a	16a	18a	19a	20a
N	8a	10a	12a	14a	15a	16a

**29**

Var.	1	2	3	4	5	6
M	8a	10a	15a	13a	16a	11a
N	12a	18a	21a	18a	22a	16a

**30**

Var.	1	2	3	4	5	6
M	6a	8a	10a	12a	13a	14a
N	10a	15a	20a	18a	22a	26a

**31**

Var.	1	2	3	4	5	6
M	6a	8a	10a	12a	13a	14a
N	6a	8a	10a	10a	11a	12a

**32**

Var.	1	2	3	4	5	6
M	8a	12a	16a	15a	13a	14a
N	2a	4a	6a	5a	5a	6a